

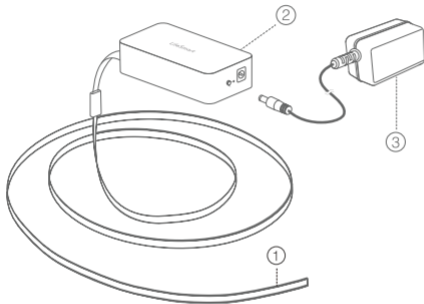


BLEND Light Strip / Light Strip Controller

Setting up your LifeSmart BLEND Light Strip

User Guide V 1.1

BLEND LIGHT STRIP



- ① BLEND Light Strip
- ② Light Strip Controller
- ③ Light Strip Power Adapter

PRODUCT INTRODUCTION

BLEND Light Strips are the perfect way to add ambience to any room and with its unique flexibility to be concealed almost anywhere, you can showcase your favorite works of art. Capable of creating 16 million different lighting effects with adjustable brightness and preset modes, you can always easily set the mood for that romantic dinner and seamlessly let it transition into a party setting. Even better is BLEND's interaction with your entire LifeSmart Smart Home System. Let your lights change to your desired ambience based on the time of day, temperature, or even by opening a door. You are only limited by imagination in the infinite applications of BLEND products to create unique atmospheres and instant, unique special moments. Not only that, but you will benefit from all of the amazing new technologies that LifeSmart is bringing to life, such as LifeSmart Cloud services and emotion recognition technology, so that your home knows how to meet your needs without even you realizing it. Brilliant and simple, get ready to experience carefree smart home living that the whole family can enjoy.

Disposal And Recycling Information

This symbol indicates that this product and/or battery should not be disposed of with household waste. When you decide to dispose of this product and/or its battery, do so in accordance with local environmental laws and guidelines.



IN YOUR PACKAGE

- BLEND Light Strip 1
- Power Cable 1
- Smart Adapter 1
- User Guide 1

SPECIFICATIONS

Size	2000*12*3.5mm
Weight	270g
Power	< 12W/m
Lighting Color	1600W colors + white light
LED Density	60pcs/m
Wireless Distance	200m (open field)
Operating Humidity	5 - 90%
Operating Temperature	-5 - 45°C
Operating Frequency	CoSS
Input Voltage	24V DC
Regulatory Certification	 RoHS FCC ID: 2AJMI-00LS065

SET UP

Your BLEND Light Strip requires a LifeSmart Smart Station and the LifeSmart App to operate. Please download the App to your smart device and set up your Smart Station before proceeding. The App is available by scanning the following QR Code or going directly to the Google Play or iOS App Store.

► **Method 1**

www.ilifesmart.com/getapp.html

► **Method 2**



SET UP

- ① Log in LifeSmart App, click '+' on the top right corner of the home page, then click '**Add Device**', choose '**BLEND Light Strips**' and enter its pairing page;
- ② Attach the Light Strip Controller to the BLEND Light Strip and Power Adapter and plug the adapter to a power supply.
- ③ Press the back button on the BLEND Light Strip Controller for 5 seconds until the indicator light starts flashing to indicate that pairing is in progress.
- ④ You will be prompted in the App when pairing is complete.
- ⑤ You may now choose colors and dynamic effects via the LifeSmart App.

For technical support or FAQ's please visit us at www.ilifesmart.com and find out how to contact our team in your region.

WARRANTY DESCRIPTION

Thank you for purchasing this LifeSmart product. In order to protect your rights, please read the following content carefully: The warranty period of our company's products is one year from the date of purchase or longer if local laws impose a longer minimum term, in which case the minimum term is the warranty period. During the warranty period, any faults caused by the product itself or for quality problems that arise under normal usage, LifeSmart will provide a free replacement.

ATTENTION

The following conditions are not covered by the warranty:

- Product failure or damage caused by installation, use, and maintenance that is not in accordance with the product instructions;
- Products beyond the warranty period;
- Products that have the barcode tampered with or removed;
- Devices that have been tampered with or customized outside of LifeSmart Terms Of Service as on the LifeSmart App and website;
- User-caused damage, such as inappropriate voltage input, high temperature, accidental spillage, physical damage, etc;
- Product failure or damage caused by force majeure such as earthquakes, fires, or floods;
- Product failure or damage caused by other problems except the product itself.

DECLARATION

LifeSmart is a trademark of Hangzhou LifeSmart Technology Co., Ltd. As for the trademarks, product logos and product names from other companies presented within this manual, they are possessed by their own right holders. Without our written permission, no entity or individual shall extract, copy or disseminate in part or the whole of the manual contents in any form. Due to product version upgrades or other reasons, content of this manual may change. Our company reserves the right to change the contents of this manual without any notice. This manual is used only for instructional purposes. We strive to provide accurate information in this manual, but we are not able to ensure that the content of this manual is current. Statements, information and advice in this manual do not constitute any expressed or implied assurance. Updated manuals are available on our website at **www.ilifsmart.com** or by contacting our Team.

DECLARATION

User support e-mail address

support@ilifessmart.com

Website

www.ilifessmart.com



DECLARATION OF CONFORMITY

Hereby, LifeSmart declares that the radio equipment type Cololight is in compliance with Directive 2014/53/EU. The full text of the EU declaration of conformity is available at the following internet address:

<http://global.ilifessmart.com/ce/docs/>



Notice: This device may be used in each member state in EU.

Manufacturer: HANGZHOU LIFESMART TECHNOLOGY CO.,LTD.

Address: 10-11th Floor, Building A, SUPCON Information, 352 Bingkang Road Binjiang, Hangzhou, Zhejiang, China



Facebook: [lifesmarthome](#)



Twitter: [lifesmarthome](#)

Copyright © 2020 LifeSmart Inc. All Rights Reserved. P/N: 88000700 A2