

尺寸	80*80mm
纸张	
工艺	

正面

LifeSmart®  
Simply Brilliant

Stellar Switch/Starry Switch User Guide V1.0  
Setting up your LifeSmart Switch  
Model: LS170/LS171/LS172/LS185/LS186/LS187

折叠

### PRODUCT INTRODUCTION

LifeSmart's Stellar/Starry Switch adopts extremely low power consumption technology, works independently without an external power. It supports single live line, null and live line and low direct current, and also can be used as passive switch. It eliminates the flicker when a traditional single live line switch is connected to a low power light bulb, providing an easy solution for installation and use.

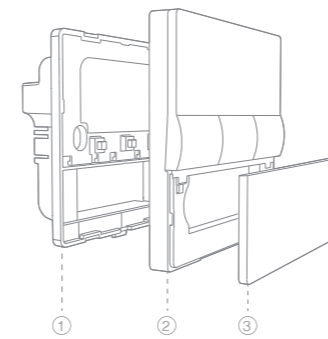
LifeSmart's Stellar/Starry Switch also supports two-way communication and mobile control. You can manage it through our app whenever and wherever. It can be paired with other smart devices such as Cube Motion Sensor and Cube Door/Window Sensor, to trigger Smart Scenes like light on when you come home and lights out when you leave the house.

### IN YOUR PACKAGE

Stellar/Starry Switch 1 User Guide 1 Screw 2

折叠

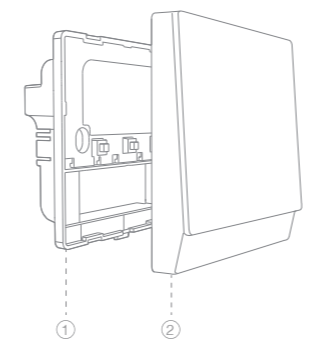
### STELLAR SWITCH ILLUSTRATION



- ① Switch
- ② Switch Cover
- ③ Battery Cover

折叠

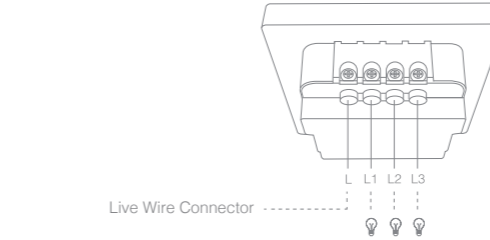
### STARRY SWITCH ILLUSTRATION



- ① Switch
- ② Switch Cover

折叠

### WIRING PLAN



- L: Switch-in Live Wire Connector
- L1: Switch-out Live Wire 1
- L2: Switch-out Live Wire 2
- L3: Switch-out Live Wire 3

**Notice:** Stellar/Starry Switch installation involves strong current operation, please contact electrician to operate!

折叠

### SPECIFICATIONS

Size	Stellar Switch (1/2/3 way) 86mm*96mm*39mm	Starry Switch (1/2/3 way) 86mm*86mm*42mm
Weight	Stellar Switch (1 way) 115g	Starry Switch (1 way) 126g
	Stellar Switch (2 way) 124g	Starry Switch (2 way) 135g
	Stellar Switch (3 way) 133g	Starry Switch (3 way) 144g
Operating voltage	90V-250V AC or 5V-30V DC	
Operating temperature	-5~45°C	
Operating humidity	5~90%	
Communication protocol	CoSS	
Wireless distance	200m (open field)	
Battery type	ER18505M (substitute: CR17505 or ER17505)	
Standby duration	5 years	
Static consumption	<1mW	
Maximum load	Resistive Load: 500W per channel. Inductive/Capacitive Load: 200W per channel. DC Load: 30V/5A	

反面

### INSTALLATION

- ① Cut off the power leading to Stellar/Starry Switch and make sure that the wiring is not charged.
- ② Take out the switch, stretch to the edge of the panel, loose the clips and separate panel and the switch unit.
- ③ Install the wires according to the diagram, screw firmly. If there's intension for saving one line for smart control (eg. turning on all other smart switches at the same time), you should at least have one line out of L1, L2, L3 connected to an electric appliance.
- ④ Neatly arrange the wires in the switch box, then place the switch correctly and screw on both sides firmly.
- ⑤ Place the battery into the battery box in the switch unit.

### INSTALLATION

- ⑥ Close the switch panel and make sure the clips are in the right place on both sides, or it might cause bad contact.
- ⑦ Bring the power back on, operate the switch to test if it runs correctly.

### SET UP

**LifeSmart's Stellar/Starry Switch needs to be paired with Smart Station to join the smart system.**

- ① After configuration of the smart station, click "+" on the app home page, then click "Add Device", select "Stellar Switch" or "Starry Switch", enter pairing mode.
- ② Follow the instruction on the app to finish pairing.
- ③ If a time-out error occurs, please repeat step 1-3 until it's successfully paired.
- ④ Stellar/Starry Switch has features such as timer turn on/off and interaction with other smart devices. Please follow the instructions on the app to discover.

### ATTENTION

**The following conditions are not covered by the warranty:**

- Product failure or damage caused by installation, use, and maintenance that is not in accordance with the product instructions;
- Products beyond the warranty period;
- Products that have the barcode tampered with or removed;
- Devices that have been tampered with or customized outside of LifeSmart Terms Of Service as on the LifeSmart App and website;
- User-caused damage, such as inappropriate voltage input, high temperature, accidental spillage, physical damage, etc;
- Product failure or damage caused by force majeure such as earthquakes, fires, or floods;
- Product failure or damage caused by other problems except the product itself.

### DECLARATION

LifeSmart is a trademark of Hangzhou LifeSmart Technology Co., Ltd. As for the trademarks, product logos and product names from other companies presented within this manual, they are possessed by their own right holders.

Without our written permission, no entity or individual shall extract, copy or disseminate in part or the whole of the manual contents in any form. Due to product version upgrades or other reasons, content of this manual may change. Our company reserves the right to change the contents of this manual without any notice. This manual is used only for instructional purposes. We strive to provide accurate information in this manual, but we are not able to ensure that the content of this manual is current.

### DECLARATION

Statements, information and advice in this manual do not constitute any expressed or implied assurance. Updated manuals are available on our website at [www.lifesmart.com](http://www.lifesmart.com) or by contacting our Team.

#### Disposal And Recycling Information

This symbol indicates that this product and/or battery should not be disposed of with household waste. When you decide to dispose of this product and/or its battery, do so in accordance with local environmental laws and guidelines.



Copyright © 2019 LifeSmart Inc. All Rights Reserved.